

THERMAL TRANSFER PROGRAMMABLE ELECTRONIC CODERS

JAGUAR II

52i / 52c / 106 i / 106 c

TECHNOLOGY

State-of-the-art electronic coder with 12 dots/mm resolution, equipped with 3 microprocessors for optimization of working cycle.

FEATURES

High print speed:

250 mm/sec. (intermittent)

800 mm/sec. (continuous)

Print area: 52 x 80 mm and
106 x 125 mm

Cassette ribbon carrier for fast, easy changes.

SIMPLICITY

Self-contained programming unit, easy to connect to computer systems. A wide range of fonts and data field types with an operating system which is very easy to use.

INTEGRATION

Its small size means that it is easily adapted to most machines, whether intermittent or continuous (machines for packing, forming, labelling, boxing, etc...)

EFFICIENCY

- Very fast modification of layouts and text entries.
- Several levels of access protection for line operators.
- Loading and recovery of databases and layouts from memory-cards.
- Date-time selection in free format.

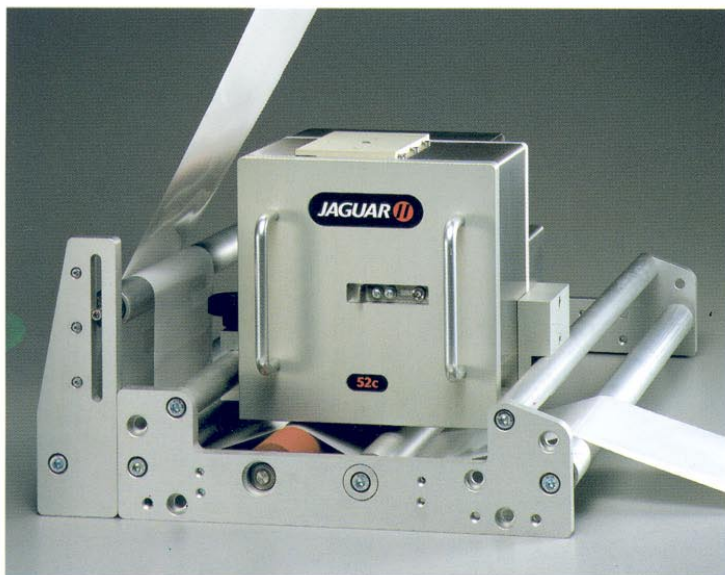
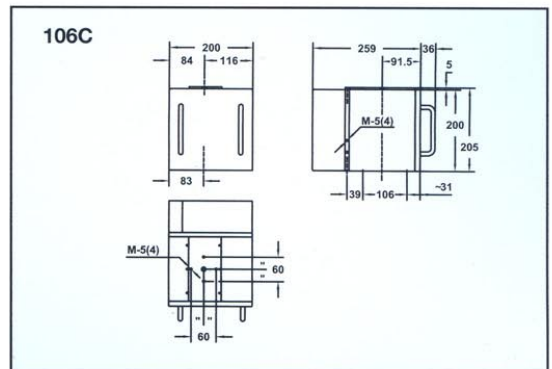
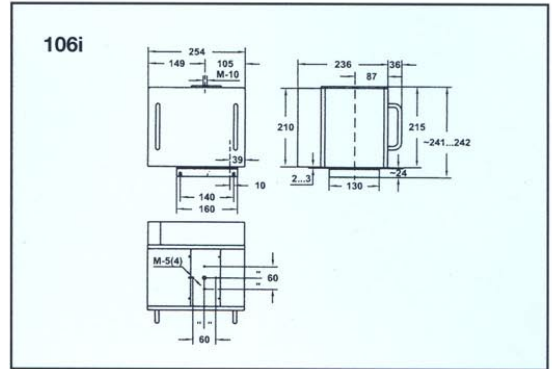
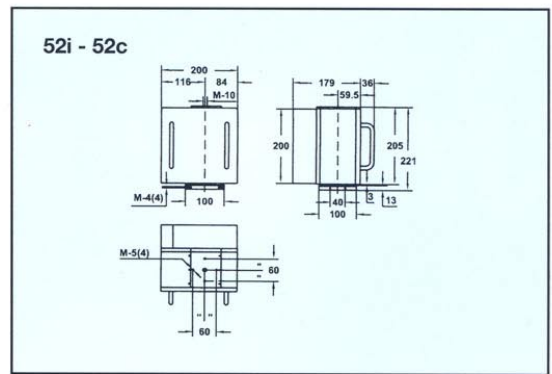
ECONOMY

Programmable ribbon save.



SPECIFICATIONS:

PRINT AREA:	52 x 80 mm MOD. 52i 52 x 125 mm MOD. 52c 106 x 125 mm MOD. 106i 106 x 200 mm MOD. 106c
RESOLUTION:	12 dots/mm
PRINTING SPEED:	250 mm/sec (Intermittent) 52i, 106i 800 mm/sec (Continuous) 52c, 106c
PRODUCTION:	≈ 350 prints./min (1 Line) ≈ 95 prints./min (Total area) Dependant on printing material and stopped time of machine
THERMAL RIBBON:	430...600 m (S./Thickness)
MEMORY:	PROG. 1 Mbyte (Flash) FONTS 1 Mbyte (Flash) FREE USERID 0,5 Mbytes (RAM battery) max. PCMCIA 8 Mbytes max.
POWER SUPPLY:	220/240 V 50/60 Hz 400 W
AIR SUPPLY:	6 bar max. (6 cm ³ /Print)
WEIGHT (PRINTING MOD.):	7 Kg
LINKS: INPUTS	<ul style="list-style-type: none"> • Print request • Encoder for continuous printing
OUTPUTS:	<ul style="list-style-type: none"> • Print on / Print stop • % Remaining ribbon • Break ribbon • Cassette out • Alarms (3 colours)



TPSC support to continuous printing

PROGRAMMING

TEXT:	11 FONTS resident (scalable) 3...5 FONTS TRUE TYPE external loading (250 Kb max.)
FIELDS:	DATE/TIME (Free format), COUNTERS (UP/DOWN), TEXTS, VARIABLE FIELDS, RS232 IMPORT, ROTATIONS (90°, 180°, 270°), FREE FIELDS in BARCODES, etc...
BARCODES:	EAN-8, EAN-13, EAN-128, CODE 128, UPC-A, UPC-E, CODE 39, 2 of 5, IITF... (many other types optional).
COMMUNICATIONS:	RS-232 & RS-485 (Option parallel).
PC PROGRAMS:	JDS-4 (Windows) & PCM-30.

BETAPRINT reserves the right to modify its electronic coder according to the latest technical developments without prior notice.

