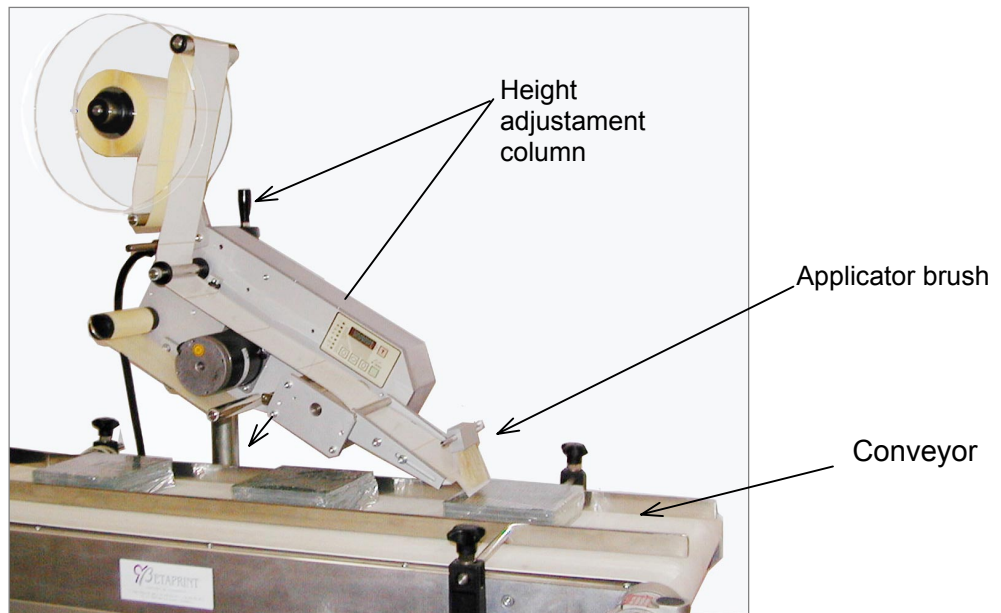


LABEL APPLICATOR
R-3500

DESCRIPTIVE INFORMATION

APPLY OPTIONS



R-3500 for top application of labels with the applicator brush and height adjustment column.



Brush, Ring and Foam apply options

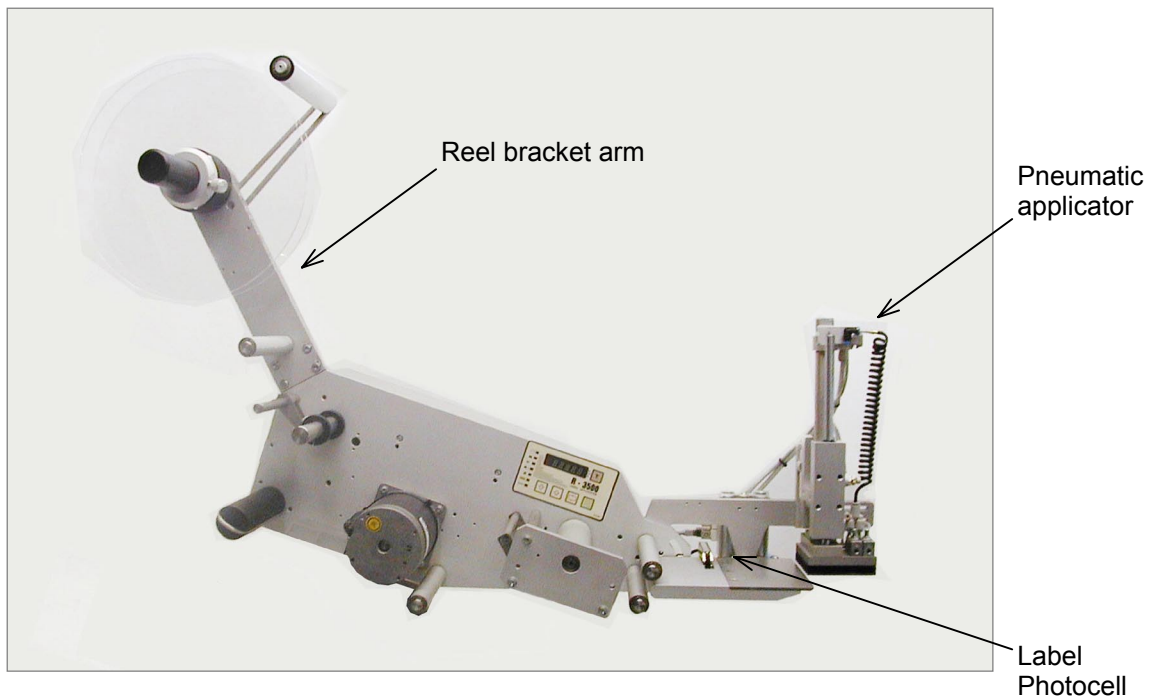


Wrap around applicator arm ("MP" option)
(See page F-020 and price list on page F-002)

AIR TAMP APPLICATOR



Pneumatic label applicator (contact)



R-3500 with a pneumatic applicator.

(See drawings on pages F-015 / F-016 and price list on page F-004)

PRINTING AND MARKING SYSTEMS



Printer support brackets for Jaguar II.
("TPS" option, page F-030)

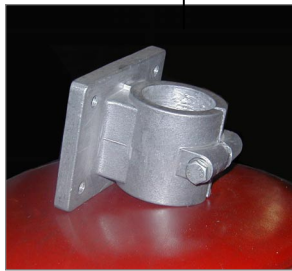
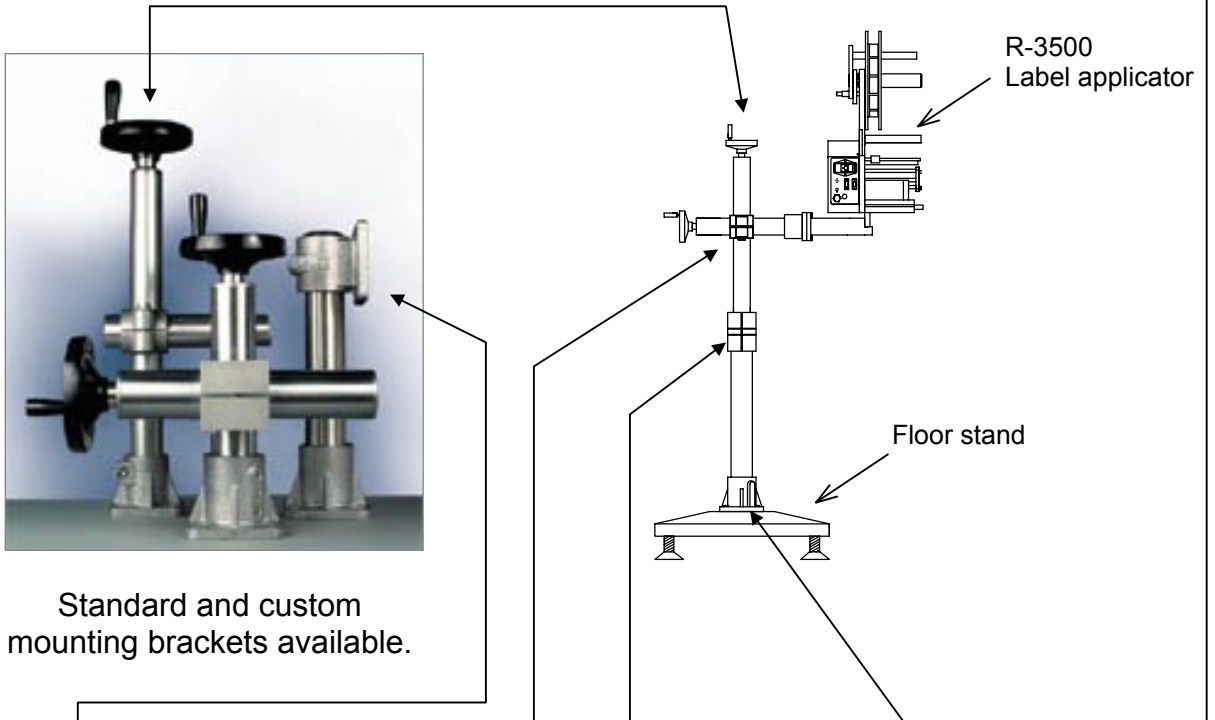


R-3500 label applicator and Jaguar II
thermal printer



R-3500 label applicator and the printing unit 110 mm TF-1000.
(Contact us for additional information)

BRACKETRY



Adjustment accessories (See page F-010 and prices on page F-003)

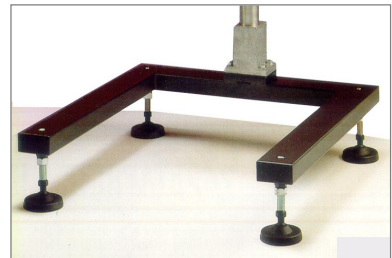
Floor Stands



PN



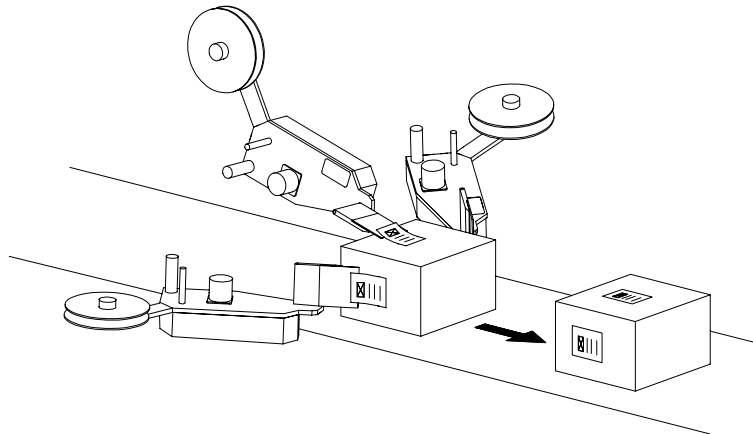
PI



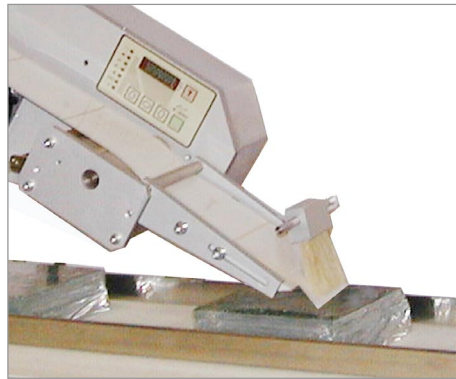
PU

(See bracketry prices on page F-003)

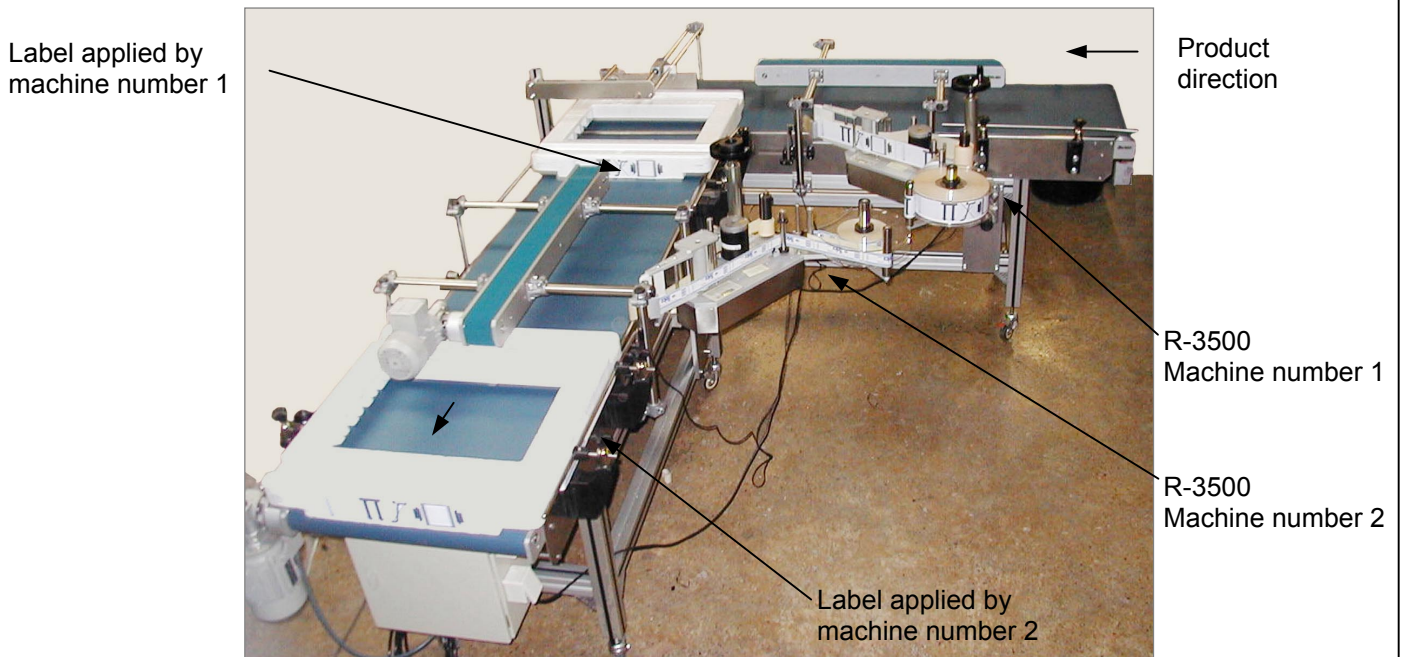
APPLICATION EXAMPLES



R-3500 for top or lateral application of labels.



Top application with brush apply option.



This application shows labels being applied to packaging material for electronic components equipment.