



LABELING & MARKING

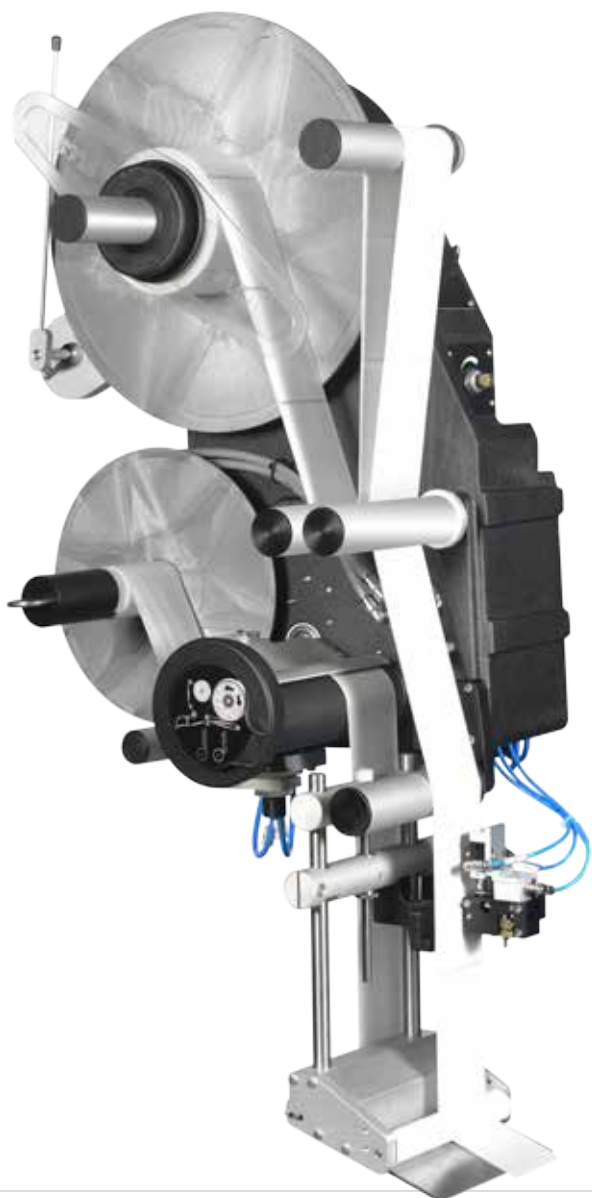
EASY ATEX 160/240

3000 series

The Easy Atex is a pneumatic labeler EX II 3G IIB T4 marking (suitable for Atex 2 zone)

- 240mm / 9.44" label liner (made of paper) maximum width
- built on a solid aluminium alloy casting. A safe and most robust machine, designed to last over time
- little footprint on the production line thanks to its "vertical" development
- large diameter reel housing for long duration
- with external silencer, advanced approaching reel end alarm and pneumatic product sensor, included

| EASY ATEX | 160 | 240 |
|---|----------------------|-----------------------------|
| velocità max (solo velocità costante) <i>max speed (constant speed only)</i> | 20m/min 65.5'/min | 18m/min 59.05'/min |
| diametro rotolo max <i>max reel diameter</i> | 360mm 14.15" | 360mm 14.15" max 15kg |



Peelers



RIGID





FM 22116