



LABELING & MARKING

DYNAMIC 120

1000 series



The Dynamic is a labeler of contained weight and footprint.
Thanks to a special return it can have variable geometry, with the reel housing in two possible positions or even removed.

- 120mm / 4.72" label liner maximum width
- ideal for installation inside any packaging machine
- Advanced control unit, which is independent and can be located wherever most practical for the operator (cable length: 3 metres / 9.84 feet)

DYNAMIC	120
max speed	40m/min - 131'/min
max reel diameter	280mm - 11.02"

Peelers and Applicators



RIGID



QUICK OPENING RIGID



DOWN UNDER RIGID



SPRING ARTICULATED



ELECTROMAGNETIC ARTICULATED

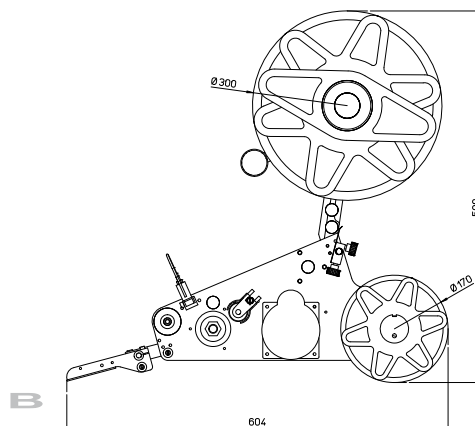
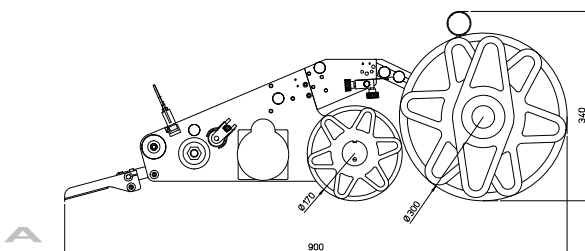


CONCORDE



HIGH PRECISION SAFE

Dynamic reel housing



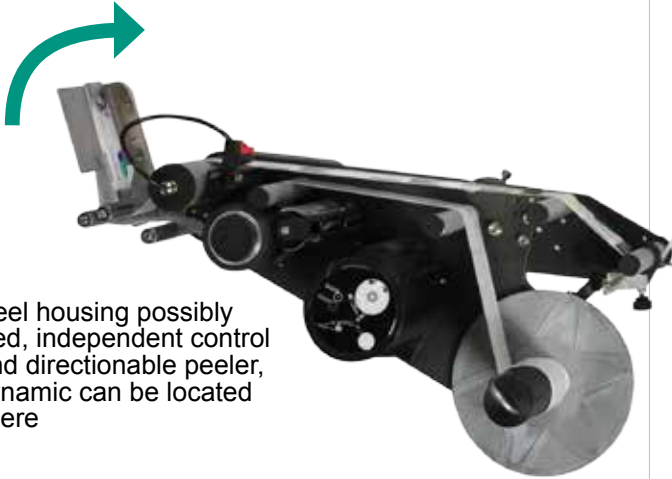
The label reel housing employs a special polymer disk, hardened with fiberglass, to adequately support the heaviest reels even in the case of a labeler positioned horizontally



The reel securing plaque is transparent, light and takes up little space. Equipped with ergonomic handle, it can be quickly removed with a rotation of only 60°

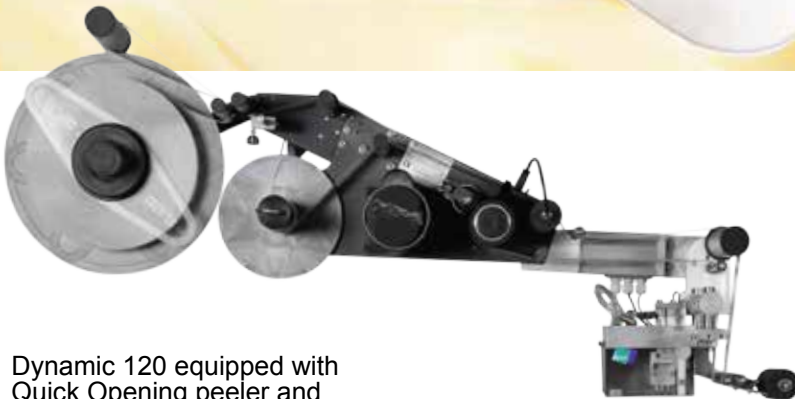


With reel housing possibly removed, independent control unit and directionable peeler, the Dynamic can be located anywhere



The Arca solution for easy opening of shrink wrapped packets. Pulling the self adhesive label, the user can quickly free the contents from the plastic wrapping, without getting dirty or contaminating the product

Dynamic 120 equipped with Quick Opening peeler and cutting set



FM 22116