



## LABELING & MARKING



# BASIC 120

## 1000 series

The Basic is a labeler of contained weight and footprint.

Thanks to a special return it can have variable geometry, with the reel housing in two possible positions or even removed.

- 120mm / 4.72" label liner maximum width
- ideal for installation inside any packaging machine
- Independent control unit which can be located wherever most practical for the operator (cable length: 3 metres / 9.84 feet)

BASIC	120
max speed	20m/min - 65.5'/min
max reel diameter	280mm - 11,02"

## Peelers and Applicators



RIGID

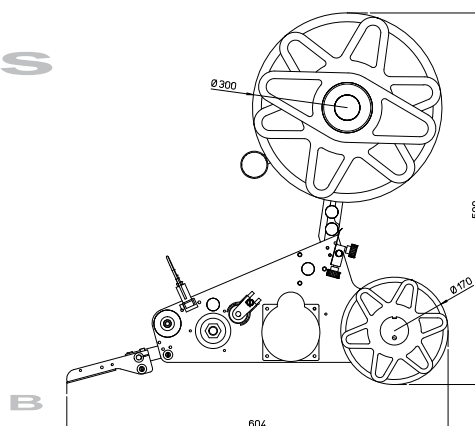
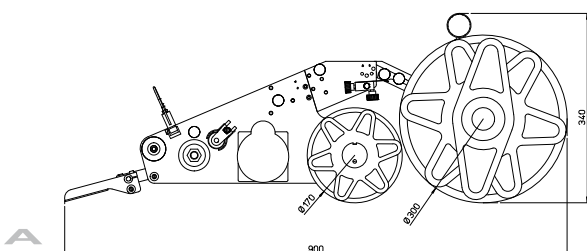


SPRING  
ARTICULATED



PNEUMATIC  
ARTICULATED

## Two positions reel housing



Very easy to use thanks to all the controls being concentrated in a single panel including 3 multiturn potentiometers (with blocking device) to adjust:

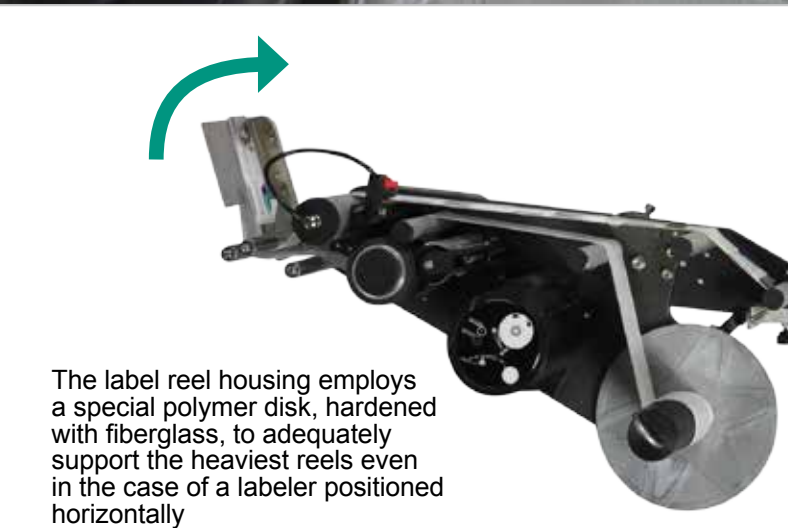
- dispensing speed
- label position on the peeler (advance dispensing)
- labeling point (application delay)

removing the need for manual movement of the product detection sensor.

In addition, a luminous button is available for "single shot" dispensing and alarm resetting



The label reel housing employs a special polymer disk, hardened with fiberglass, to adequately support the heaviest reels even in the case of a labeler positioned horizontally



The label reel housing employs a special polymer disk, hardened with fiberglass, to adequately support the heaviest reels even in the case of a labeler positioned horizontally

The reel securing plaque is transparent, light and takes up little space. Equipped with ergonomic handle, it can be quickly removed with a rotation of only 60°



FM 22116